

posalux<sup>®</sup>  
SWISS MADE 

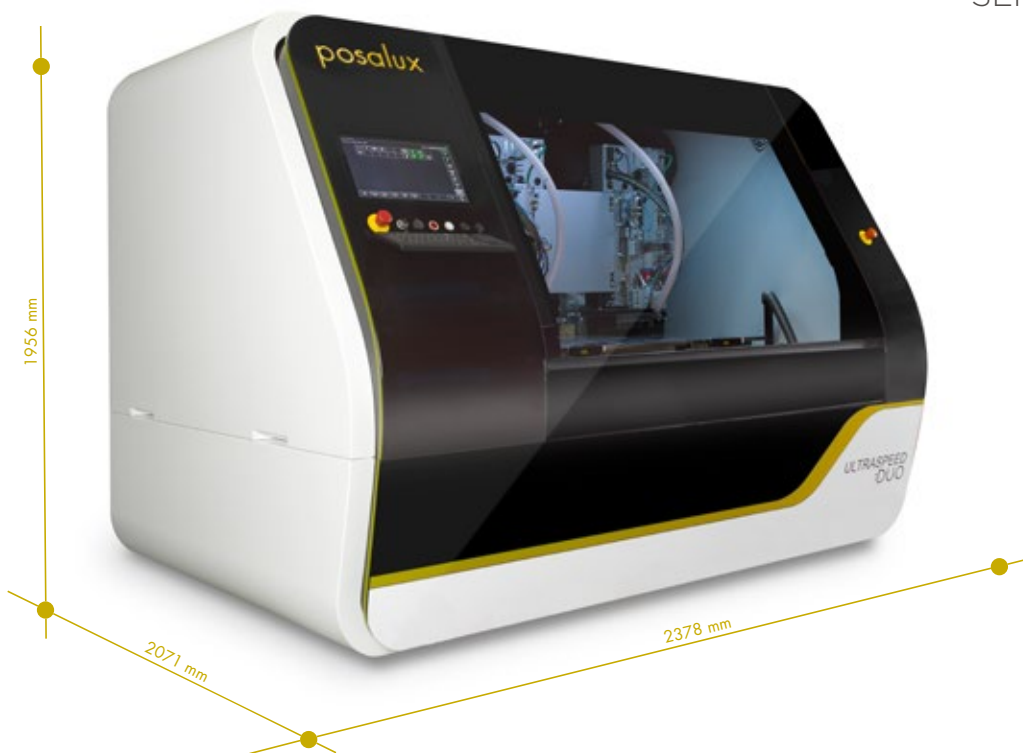


: DUO

# The innovative solution for PCB drilling and routing

## DUO

THE BEST CHOICE FOR  
SMALL AND MEDIUM  
SERIES PRODUCTION



- New generation of two stations machine with innovative and ergonomic design
- SINGLE version with one machining unit per station
- COMBI version with two different and alternating machining units per station
- DUAL version with two identical machining units per station, double the productivity
- Choice from an extensive range of drilling, routing or combination spindles
- New Posalux CNC 5000 – Powerful digital servo drives for rigid axis control
- Advanced concept of Z-axis unit – Increased stiffness, reduced mass
- New generation of multi-inserts pressure pad (IPF3) for drilling and routing
- Second measuring system for a perfect surface detection in controlled depth routing
- Standard and customized clamping systems
- CCD camera for registration
- Automation – Individual Loader (IL) with 9 or 18 levels

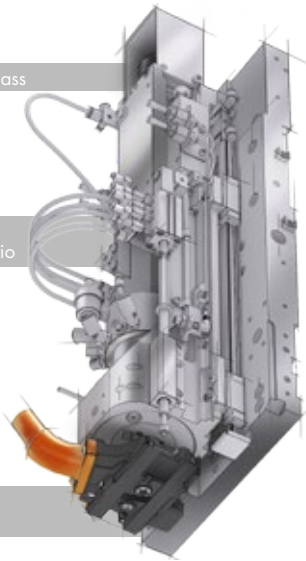
Accuracy, flexibility and reliability

## Advanced concept of Z-axis

Reduced mass

Improved guiding ratio

Higher stiffness



SINGLE version



2 stations



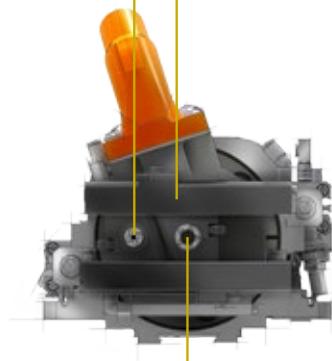
## IPF3 Drilling and routing

Interchangeable Pressure Foot with 3 positions (IPF3):

- New concept
- Configuration with routing brush and large drilling insert
- Configuration with small and large drilling inserts
- Steel or plastic inserts depending on application
- Air gap function: air flow trough inserts to avoid any scratching of entry foil

Tool change and press flange

Small insert



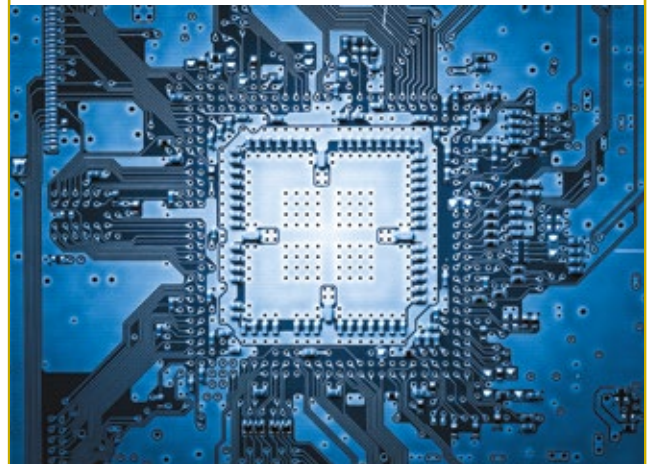
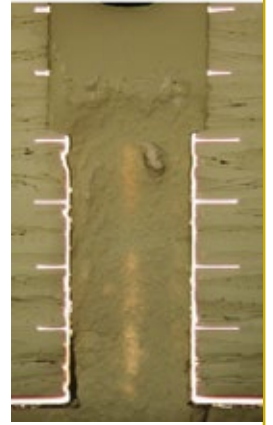
Large insert

### Machine characteristics

- 2 stations
- X, Y and Z axes with linear motor drives
- Workpiece format 635 x 724 mm (25" x 28.5")
- Tool management system with cassette, chain or Asian Tool Change (ATC)
- Software with Posalux intuitive MMI
- Spindle speed range from 5'000 up to 350'000 rpm
- Axes acceleration up to 4g
- Drilling accuracy:  $\pm 15 \mu\text{m}$  ( $\pm 0.6 \text{ mil}''$ )
- Blind hole drilling by contact drill:  $< \pm 10 \mu\text{m}$  ( $< \pm 0.4 \text{ mil}''$ )
- Weight: approx. 5'800 kg

## Applications

- PCB drilling and routing
- All controlled depth routing processes
- Machining to printed targets (CCD camera)
- IMS machining
- Machining of non-ferrous materials like aluminum, brass, bronze, polymers, etc.
- Drilling and routing of test fixtures
- Medical industry
- Aerospace industry



Individual loader (IL) with 9 or 18 levels

Custom solutions and support

Automation  
Productivity and profitability



Release 7000

# ULTRASPEED

High tech micro-drilling and routing

Founded in 1943, Posalux is a leading manufacturer of micro-technology machines intended for mass production. From our headquarters in Biel, Switzerland, we engineer and produce world-renowned system solutions.

Our clients are distinguished companies leading the automotive, electronic, watch, and medical industries. Thanks to our global network of Posalux branches and agents, we are able to provide reliable services and support to our customers worldwide.

## HQ Switzerland

Posalux SA  
18, F. Oppliger  
P.O. Box 6075  
CH-2500 Biel/Bienne 6  
+41 32 344 75 00

## Germany

Posalux GmbH  
Friedrichstr. 104  
D-63263 Neu – Isenburg  
+ 49 6102 8167556

## Korea

Posalux KOREA CO LTD  
Room 503, Twin Tower B-Dong  
703-3 Gojan-Dong  
+82 31 319 5860

## Taiwan

Posalux  
1F, Hung Pei Road No. 71  
Chung-Li  
TW-Taoyuan  
+886 491 57 72 / 3



[contact@posalux.com](mailto:contact@posalux.com) | [www.posalux.com](http://www.posalux.com)